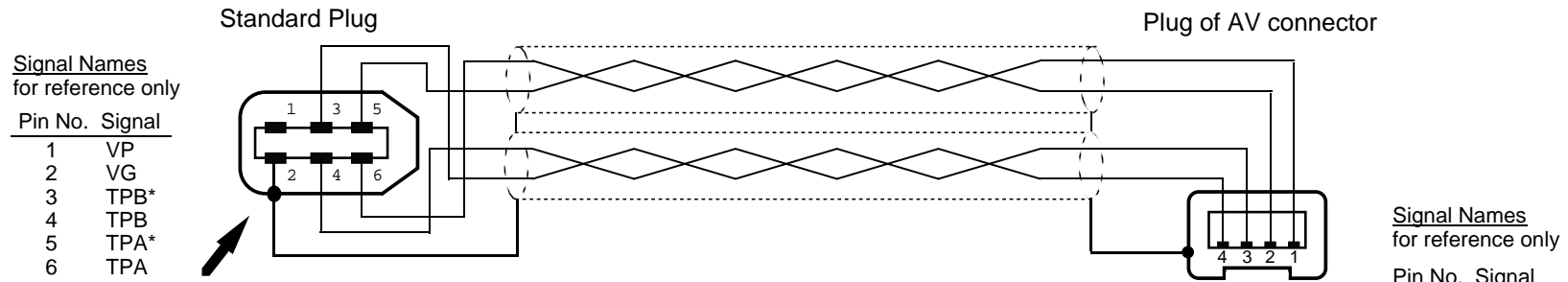


4pin-6pin Cable Enhancement



Signal Names
for reference only

Pin No.	Signal
1	VP
2	VG
3	TPB*
4	TPB
5	TPA*
6	TPA

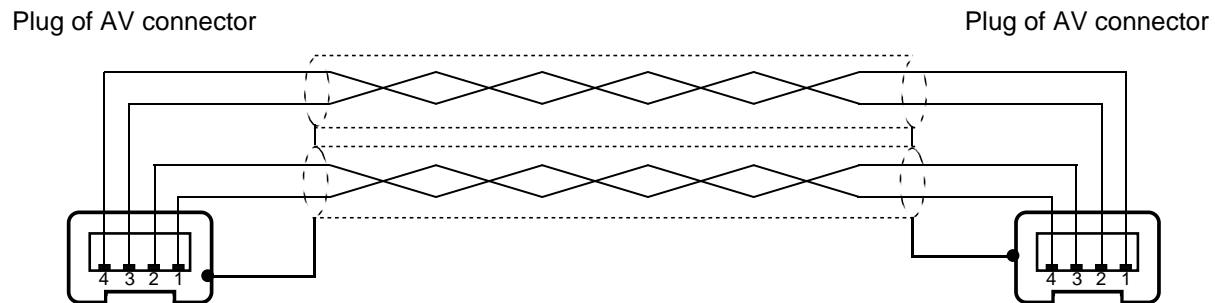
Signal Names
for reference only

Pin No.	Signal
1	TPB*
2	TPB
3	TPA*
4	TPA

Enhancement

Note: Connectors are viewed as looking at the front plug face.

Should Pass FCC Class B



Note: Connectors are viewed as looking at the front plug face.

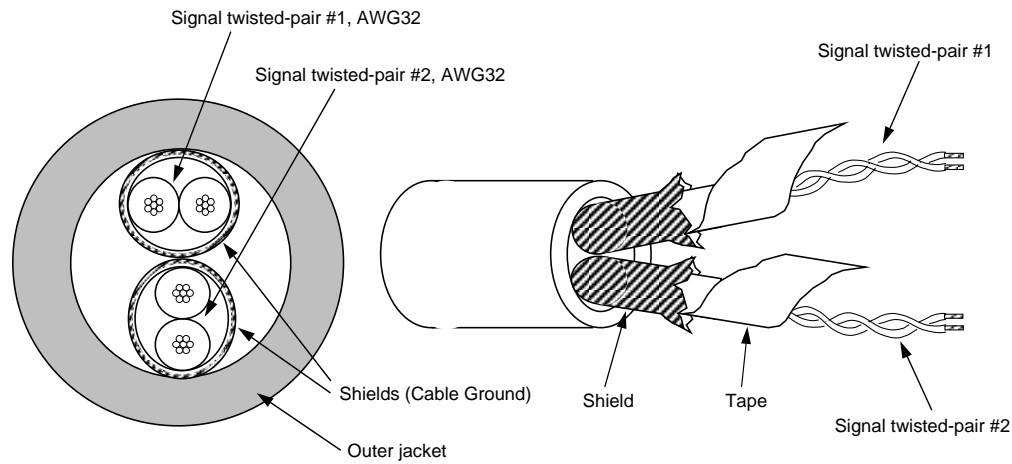
Pass FCC Class B

Signal Names
Both ends identical;
for reference only

Pin No.	Signal
1	TPB*
2	TPB
3	TPA*
4	TPA

Cable Construction Example

Small 4-pin Connector
Flexible Cable
4 or 4.3mm in Diameter



No Power Twisted Pair
No Outer Shield

Suggested Coloring for Speeds

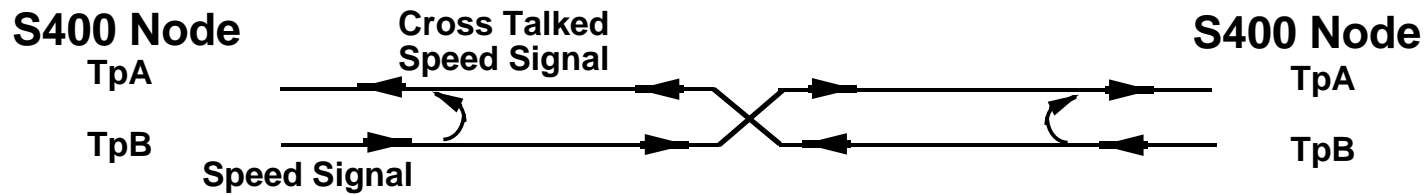
Light Gray for S400 Cable

Dark Gray for S100 Cable

Which Color for S800 Cable?

Near End Cross Talk at Self_ID Seed Signaling

Both nodes send Speed signal at the same time after Sefl_ID.



Max S400 Speed Signaling voltage is -682mV.

Existing 6pin Cable has Near End Cross Talk of

-20dB(10%)	at 400MHz	--->	-68.2mV	at S400
-25dB(5.6%)	at 200MHz	--->	-38.4mV	at S400
-30dB(3.2%)	at 100MHz	--->	-21.8mV	at S400
-35dB(1.8%)	at 50MHz	--->	-12.1mV	at S400
-40dB(1.0%)	at 25MHz	--->	-6.8mV	at S400